

Yealink

VC-800

Video Conferencing System

Built-in 24-site multipoint with ability to split into two virtual meeting rooms

1080/P/60FPS and 12x optical PTZ camera

H2.65/HEVC video codec, 1080P from 512kbps bandwidth

Super video packet loss recovery technology, resistant up to 30%

5-inch touchscreen conference phone with Harmon Kardon speaker

2 DECT based wireless expansion microphones

2 HDMI output and 2 HD content input (HDMI + Mini-DP)



HD Video Conferencing for Medium and Large Meeting Rooms

VC800 is the second generation full-HD video conferencing system launched by Yealink. Equipped with the strongest embedded MCU within the industry, the VC800 supports 24-sites with HD video conferencing plus two virtual meeting rooms. It's all-in-one design and first-class video and audio technology creates an easier and more effective collaboration experience.

An intuitive user interface makes meeting control simpler. Featuring H.265/HEVC, Opus and HD voice backed by Harman Kardon speaker, the Yealink VC800 facilitates more immersive audio-visual collaboration. By leveraging Yealink Meeting Server(YMS), the VC800 seamlessly supports Meeting Scheduling and One-touch Meeting Access. All combine to make VC800 the perfect solution for the medium-to-large meeting rooms.

In addition, the VC800 integrates with cloud platforms such as Yealink Cloud, Yealink Meeting Server, Starleaf, Pexip, Mind Zoom & BlueJeans.

VC-800

Package includes:

VC800 Codec (integrate camera)
Video Conference Phone CP960
CP Wireless Expansion Mic CPW90 (2 units)
Remote Control VCR11
Cable Hub VCH50
Cable Bundle

Full-HD PTZ Camera

1920 x 1080 video resolution
60 frame rate
12x optical zoom PTZ camera
Horizontal field of view: 70°
Vertical field of view: 42°
Pan angel range: +/- 100°
Tilt angel range: +/- 30°
Beauty shot

Multipoint Capacity

Built-in multipoint up to 24 sites at 1080p30
Multipoint license for 8/16/24 sites
Supports two virtual meeting rooms
Additional one-way audio call
Mixed protocols, codecs, bandwidth, resolution, and frame rate

Video Standard and Network Suitability

Video codecs:
H.265/HEVC, H.264 High Profile, H.264, H.263
Bandwidth dynamic adaptive adjustment
Forward Error Correction (FEC), anti 30% video and audio packet loss
Shared content and audio preference strategy
Bandwidth/protocol/ auto adaptive

VCS Phone CP960 and Audio Features

5-inch touchscreen with 1280*720 resolution
Harman kardon speaker
Built-in 3-microphone array
20ft/360° voice pickup range
Supports 2 wireless expansion mic
Audio codecs:
- Opus, 8~48kHz sampling rate
- 14kHz bandwidth with G.722.1C
- 7kHz bandwidth with G.722.1
- 3.4kHz bandwidth with G.711 (PCMA/PCMU)
Audio technology:
- Acoustic echo cancellation
- Automatic gain control
- Yealink Noise Proof Technology
- CNG, PLC, AJB, De-Rerb

Call Features

1080p60 people + 1080P30 content sharing video quality
Video Layout:
- Voice activation (onePlusN)
- onePlusN, maximum 1+7 viewable participates
- N*N, maximum 3*3 viewable participates
- Picture-in-picture (PIP), full-screen
Video/audio recording and playback
Dual displays and 'focus' feature
Screenshots in USB flash drive
GrouMeeting control:
- invite/remove
- mute/unmute participates (only for Yealink Meeting Server)
- lock
DND (do not disturb), call statistics
Auto answer, mute, and call waiting
Virtual meeting room password
Virtual keyboard
Local directory: 500 entries
Call history: all/missed/received/dialed
LDAP phonebook
Multi-language support

Standard Communication Protocol

H.323/SIP
Dual stream protocol: H.239 (H.323)/BFCP (SIP)
FECC: H.224/H.281, Sony VISCA and PELCO D/P
H.323 protocol suite: H.245, H.225, H.235, H.241
Gatekeeper account and SIP account

Compatible Cloud Platforms

Yealink Cloud Management Service
Yealink Meeting Server
StarLeaf/UC OpenCloud, supports QCP code
Pexip/Mind/Zoom/BlueJeans

Network and Security Features

IPv4 and IPv6, DHCP/static IP
HTTP/HTTPS web server
RS232/HTTP API for control system integration
SRTP/TLS, AES 128-bit encryption
QoS: 802.1p/q, Diff-serv
VLAN, IEEE802.1X, LLDP-MED
Anti-attack
Network diagnosis: Ping, trace route
Time and date synchronization using SNTP
Built-it certificate

NAT and Firewall Traversal

NAT (manual/auto mode)
ICE/TURN/STUN
Yealink intelligent firewall traversal
Open VPN, H.460

Configuration Management

Configuration via browser/display/auto-provisioning
Virtual remote control
Firmware upgrading, factory resetting
Export or import configuration
System log exporting

VC800 Codec Connections

2 x HDMI output
1 x Line-in (3.5mm)
1 x Line-out (3.5mm)
1 x Yealink extension port (RJ-45) connect to VCH50 /CP960 Phone
1 x 10/100/1000M Ethernet port
2 x USB 2.0
1 x Power port
1 x Security lock slot
1 x Reset slot

VCH50 Connections

1 x RJ45 port connect to VC800 codec

1 x RJ45 port connect to CP960
1 x HDMI input for content sharing (with audio)
1 x Mini-DP input for content sharing (with audio)
1x USB 2.0 for recording

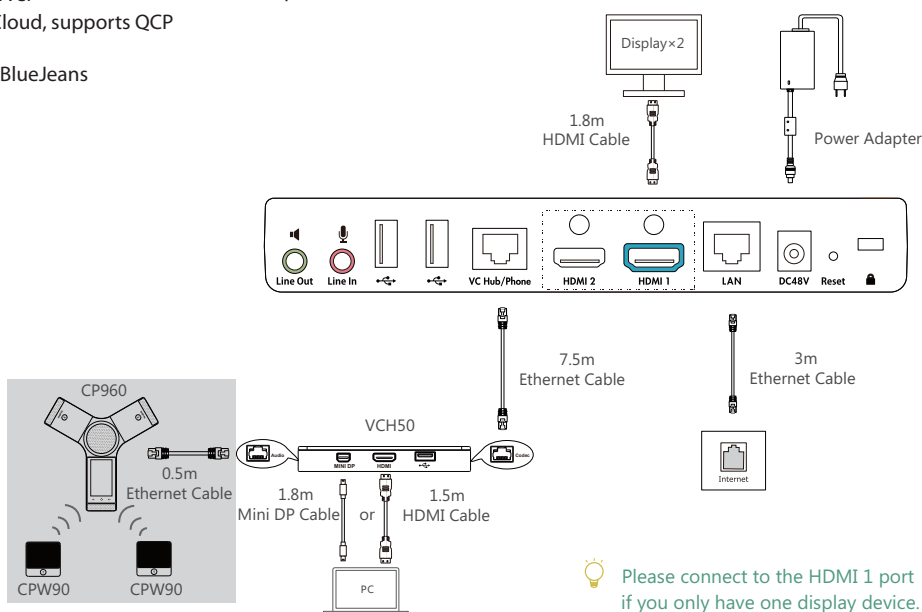
Other Physical Features

External Yealink Power Adapter:
AC 100~240V input and DC 48V/0.7A Output
Wall/TV mounted shelf with screws
Power consumption (PSU):
Idle<16W, normal operating: 17W; MAX: 21W
Dimensions (W.D.H):
- VC800 codec: 235mmx172mmx169mm
- CP960: 338mmx338mmx74mm
- VCR11: 190mmx55mmx24mm
Operating humidity: 10~95%
Operating temperature: 0~40°C
Storage temperature: -30~70°C

Package Features

N.W/CTN: 6.6 kg
G.W/CTN: 7.8 kg
Giftbox size: 405mm x 392mm x 141mm

Certifications



Please connect to the HDMI 1 port if you only have one display device.

Yealink