



GVT-2000 □□□□ □□: 1

## 10/100/1000BASE-T to 1000BASE-X SFP Converter

The GVT-2000 media converter is able to convert network signals between copper and fiber-optic based networks. The converter provides a SFP slot for 1000Base-X Gigabit optic module and a 10/100/1000Base-T RJ-45 port, supports full duplex and half duplex switch connectivity and 10Base-T, 100Base-TX and 1000Base-T auto-sensing.

The device features built-in Dip switches for easy converter configuration, which function on the Smart LFP (Link Fault Pass-through), allowing the converter to monitor both the fiber and copper ports for signal loss, as well as cut through and smart pass through mode.

The GVT-2000 is able to operate in temperatures from -10° up to 55° Celsius. The converter can be used as a standalone unit or as a slide-in module to the CHV-2000 19" converter rack, which can accommodate up to 14 units for use in a central wiring closet.



1. 10/100/1000Mbps SFP Slot
2. LED Indicators
3. 10/100/1000Mbps RJ-45 Port



4. DC Power Jack
5. Dip Switch

### Key Features

- Transfers data from 10/100/1000Base-T copper to fiber interfaces
- SFP slot supports pluggable Gigabit optic modules that enabling you to choose from a variety of transceiver
- □□□ □□ □□□ □□□□□ 9K □□ □□□
- Built-in LFP (Link Fault Pass-through) Technology
- □□□ □□ □□□ □□□ □□ IEEE 802.3x □□□ □□□ □□ □□□ □□
- Dip switches for customized configuration
- Supports low-time lag transmission



- Supports the transmission of extra-long packets up to 1.6KB
- -10°C ~ 55°C operating temperature range



**CVH-2000**  
14-Slot Media Converter Chassis



**GVT-2001**  
10/100/1000BASE-T to 1000BASE-SX MMF SC Converter, 550m



### System Specifications

#### Connectors and Cabling:

Fiber SFP slot LC/SC; RJ-45 Port CAT-5/5e Twisted Pair cable Auto MDI/MDI-X (Max to 100m) and Auto-Negotiation

#### Wavelength(nm):

depend on SFP module

#### Indicator:

PWR,TX (FDX, 100, 1000, Link/Act), FX Link/Act

#### Transmission Method:

Store and forward (Default)

#### Power:

DC 5V/2A

#### Standards & Protocols:

IEEE 802.3 10-BASE-T, Ethernet  
IEEE 802.3u 100-BASE-TX, Fast Ethernet  
IEEE 802.3ab 1000BASE-T, Gigabit Ethernet  
IEEE 802.3x Flow Control (full-duplex flow control)  
IEEE802.3z 1000Base-SX/LX,

### Physical Specifications

#### Dimensions (W x D x H mm):

71 x 94 x 26 mm

#### Weight (g):

420 g

### Performance

#### Operating Distance:

Depend on SFP Module

### Features

#### General:

DIP Switch 1: LFP function  
DIP Switch 2 and 3 performance 4 types work mode

DIP Switch 2 and 3 is OFF = Store and forward  
 DIP Switch 2 is OFF, 3 is ON = Cut through mode  
 DIP Switch 2 is ON, 3 is OFF = Smart pass through  
 DIP Switch 2 and 3 is ON = Pass through mode

## Environment

### Temperature (°C):

Storage: -40 ~ 75 °C

Operating: -10 ~ 55 °C

### Humidity (Non-condensing):

5 ~ 90 %

## Others

### Approval and Compliance:

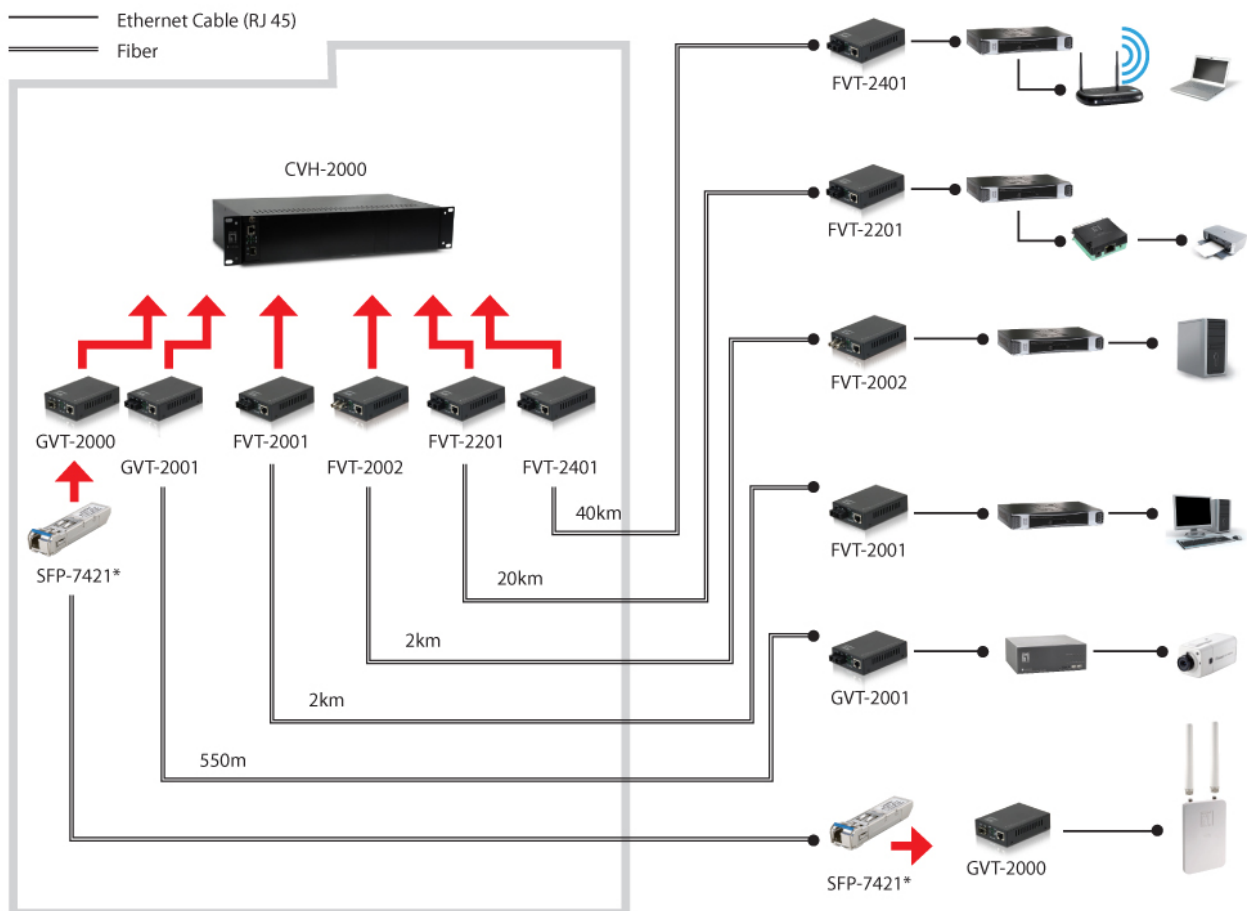
CE, FCC

### Deployment:

Desk, wall and chassis mounted



### Dimension Diagram



\*In above example diagram, converter modules at local and remote ends should be paired for proper connectivity, and the distance mainly depends on cable and transceiver selection accordingly.



## Order Information

GVT-2000

---

## Package Contents

Power Adapter  
Quick Installation Guide

---

□□□□ □□□



**CVH-2000**