



ELEVATED DESIGN & EXPERIENCE

The Alta Labs AP6-Pro Access Point features a compact form factor and a sleek aesthetic design allowing seamless integration into corporate, commercial, and residential environments. The AP6-Pro is IP54-rated for higher end commercial environments. The AP is powered over Ethernet for simple, clean installation. Versatile mounting hardware featuring our proprietary QuickMount™ technology for quick, simple mounting.

FEATURES

- WiFi 6 With WiFi 7 Benefits
- Superior Range and Performance
- IP54 Rated
- Scalable Cloud-Based Management
- Mobile App
- Multi-Password Authentication
- DPI Engine
- Hotspot Functionality
- On-The-Fly Changes and Scanning
- Wireless Network Color Coding
- SSID Broadcasting Flexibility
- Customizable Dashboard
- Status Snapshots
- Device Cards

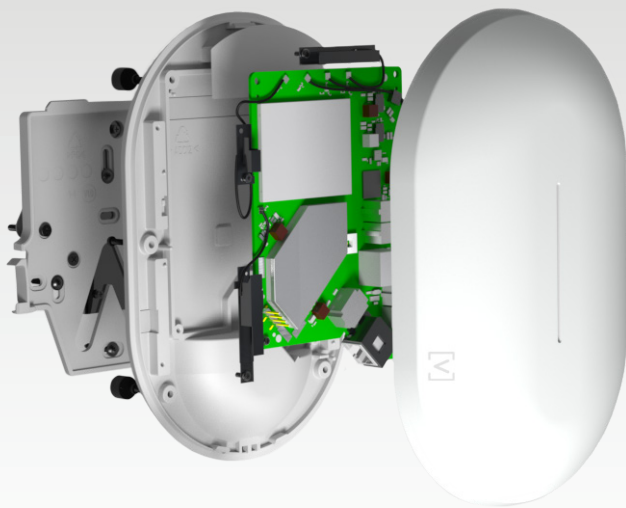
WiFi 6 with WiFi 7 Benefits

Built on an innovative new dual-band, 6 stream, WiFi 6 networking platform from Qualcomm®, the AP6-Pro incorporates 4096 QAM, one of the primary features of WiFi 7, providing a combined 6.3 Gbps of WiFi capacity.



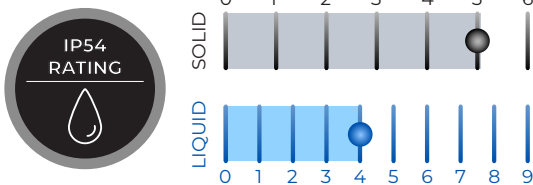
Superior Range and Performance

Our proprietary antenna design provides superior range and performance. The AP6-Pro features four 5 GHz antennas, a design that helps the AP6-Pro outperform 2x2 APs by an over 30% throughput increase in many cases. Seamless roaming is fully automatic with support for the 802.11 k, v, and r standards. The AP6-Pro utilizes intelligent mesh formation for maximum throughput.



IP54 Rated

The AP6-Pro is IP54 rated, offering strong protection against solids such as dust in a commercial environment, and a limited level of water resistance from water spray, allowing the AP to be installed outdoors under eaves or overhangs.



Scalable Cloud-Based Management

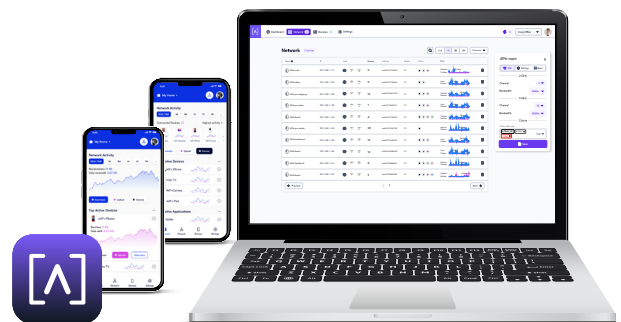
Alta Labs provides an intuitive and easy-to-use cloud-based management interface for Alta Labs access points and switches. Designed for optimum scalability using a high-availability architecture for the ultimate in convenience and worldwide accessibility. Built on a worldwide content delivery network to optimize response and latency, our global cloud infrastructure ensures geographically optimized connectivity through our redundant network.

Deploy and manage multiple sites quickly and easily. Add, delete, or rename sites instantly. Toggle between sites from a site selection drop-down. Each site contains its own data set.



Mobile App

Monitor and manage your networks from the convenience of your mobile device. The management interface is easily accessible via mobile app or web browser. Sign up for an Alta Labs account using just your name, email, and password or use Google Authentication.



Multi-Password Authentication

Use different WiFi passwords to separate network traffic and manage connectivity.

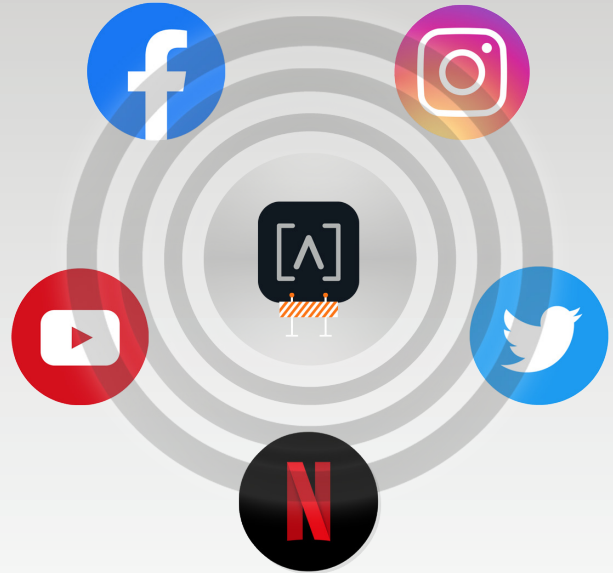
- **Standard** Network with less than 100 WiFi clients
- **Large** Optimized for hundreds to thousands of WiFi clients
- **IoT** Restricted to Internet and local incoming connections only
- **Internet** Restricted to Internet only
- **Guest** Restricted to Internet and IoT devices

A password can also be associated with a specific upload or download rate, a VLAN, or to bypass schedule or hotspot functionality.



DPI Engine

Advanced filtering allows you to block content by application, selectable from an extensive predefined list. You can also enter domain names for domain blocking.



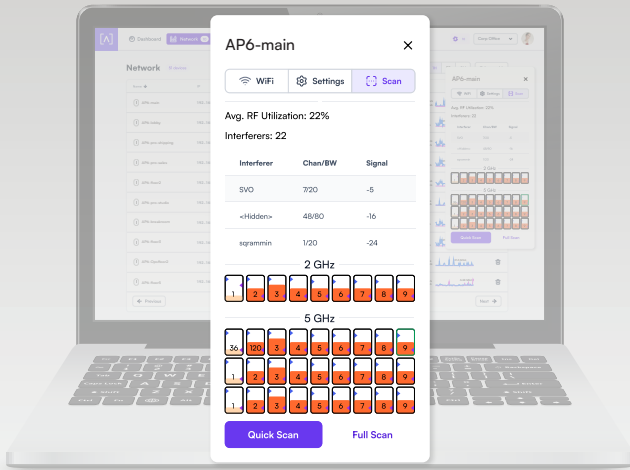
Hotspot Functionality

Built-in functionality to create your own local hotspot with a logo, title page, terms of service, and a final landing page. You also have the option to redirect to an external URL.



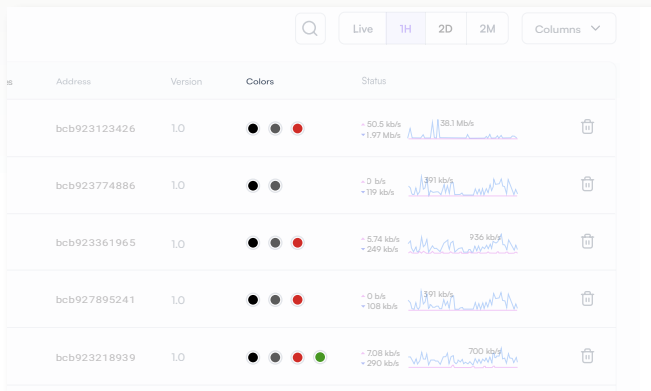
On-The-Fly Changes and Scanning

- Configuration changes do not require a reboot of your network. Changes can be made without taking your network down.
- Scan your AP environment without disrupting your WiFi network.



Wireless Network Color Coding

Patent pending functionality that allows you to assign groups to wireless SSIDs and then assign membership to wireless access points.

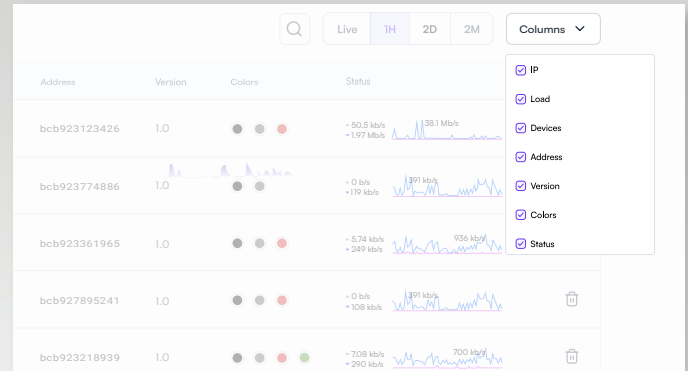


SSID Broadcasting Flexibility

In addition to standard functionality such as hiding your SSID, you can continue broadcasting your SSID during a “scheduled off” event. This provides network admins with the ability to grant users additional time on the network. A user can request access via a captive portal displayed when they try to access the network.

Customizable Dashboard

Customize your dashboard with the information you want to see: IP address, Load, number of devices, MAC address, firmware version, wireless network color assignment, and real-time status details. Details are sortable by column.

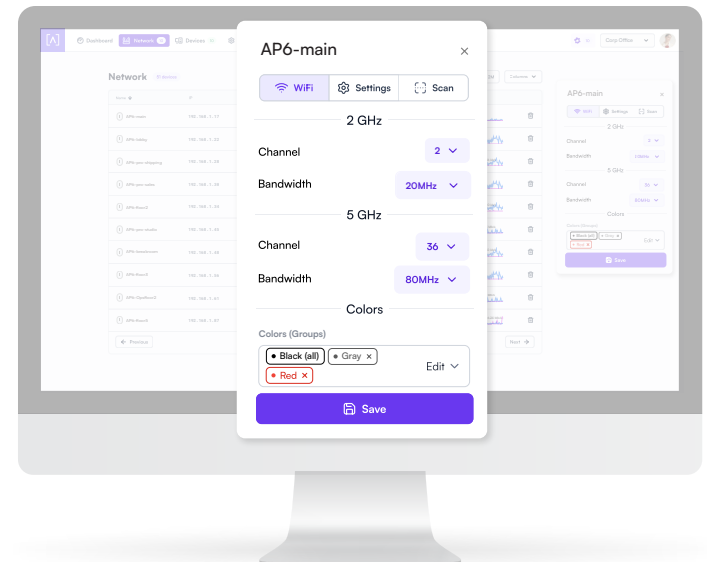


Status Snapshots

View upload and download throughput with a visual timeline on the dashboard for each AP displayed along with the number of connected devices, average processor load, channel load, and average connected devices. Select a snapshot of the last minute, last hour, last two days, or last two months.

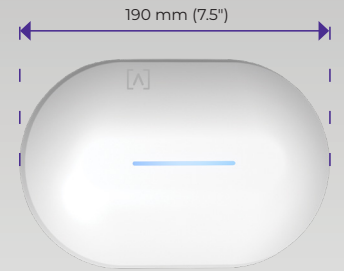
Device Cards

Easily view connection details and configure your access points or client connections by clicking the device icon.

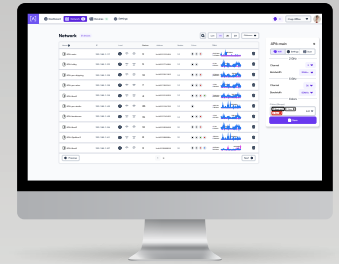


SPECIFICATIONS

MECHANICAL	
Dimensions	190 x 125 x 32 mm (7.5 x 4.9 x 1.25")
Weight	0.4 kg (0.9 lbs)
Enclosure Material	Top Cover: Polycarbonate, Bottom Cover: Milled Aluminum
Mount Material	Ceiling/Wall: Polycarbonate, Drop Ceiling: Steel
Weatherproofing	IP54
HARDWARE	
Network Interface	Ethernet, WiFi, Bluetooth
Management Interface	(1) GbE RJ45 Port
Button(s)	Reset/Factory Reset
LED	Blue, White
Power Method	PoE+
Power Supply	PoE+ Enabled Network Switch or 48V, 0.5A PoE Adapter (Optional)
Supported Voltage Range	42.5-57V DC
Max. Power Consumption	25W
Max. Transmit Power	2.4 GHz: 23 dBm @2NSS, 5 GHz: 26 dBm @4NSS
MIMO	5 GHz: 4 x 4, DL/UL MU-MIMO, DL/UL MU-OFDMA 2.4 GHz: 2 x 2, DL/UL MU-OFDMA Explicit TX beam-forming
Throughput Rate	2.4 GHz: Up to 573 Mbps, 5 GHz: Up to 5.8 Gbps
Antenna Gain	2.4 GHz: Up to 3.3 dBi, 5 GHz: Up to 4.3 dBi
Mounting	Wall, ceiling, drop-ceiling, table top
Operating Temperature	-30 to 60° C (-22 to 140° F)
Operating Humidity	5 to 95% Noncondensing
Certifications	CE, FCC, IC (Visit Alta.inc for a full list of certifications)



SOFTWARE	
WiFi Standards	802.11a/b/g/n/ac/ax (WiFi4/WiFi5/WiFi6)
Roaming	802.11r/k/v
Wireless Security	WPA2-PSK, WPA3-PSK, WPA-Enterprise (WPA2/WPA3)
Multi-BSSID	Supported
VLAN	802.1Q
Advanced QoS	802.11e
Guest Traffic Isolation	Supported
Concurrent Clients	300+
Zero Wait DFS	Yes
Intelligent WiFi Scheduling	Yes
Hotspot Functionality	Yes
Scalable To Stadiums	Yes
Seamless Per-Client Settings	VLAN, Device Type, Rate Limit, Hotspot/Schedule Exception

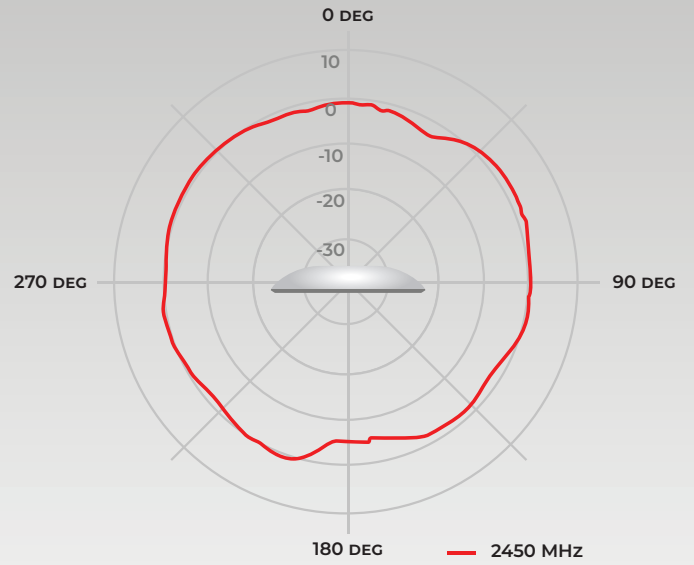
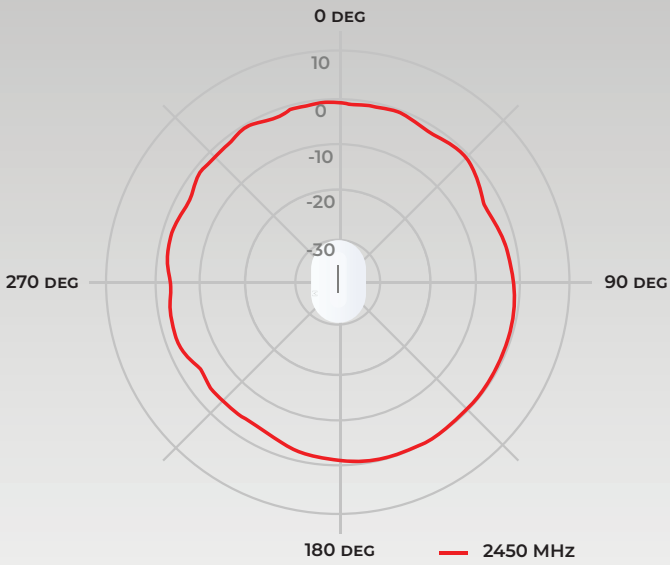


SUPPORTED DATA RATES	
802.11a/g	6 Mbps to 54 Mbps
802.11b	1 Mbps to 11 Mbps
802.11n	6.5 Mbps to 600 Mbps (Up to MCS 31)
802.11ac	6.5 Mbps to 3.4 Gbps (Up to MCS 9)
802.11ax	2.4 GHz: Up to 573 Mbps, 5 GHz: 6.5 Mbps to 5.8 Gbps (Up to MCS 13)

FEATURE COMPARISON

Features	AP6	AP6 PROFESSIONAL
WiFi 6	✓	✓
Bluetooth (For Easy Adoption)	✓	✓
Content Filtering	✓	✓
PoE+	✓	✓
2.4 GHz MIMO	2 x 2	2 x 2
5 GHz MIMO	2 x 2	4 x 4
Max WiFi Throughput	3.0 Gbps	6.3 Gbps
4096 QAM	-	✓
IP54 RATED	-	✓

2.4 GHz



5 GHz

